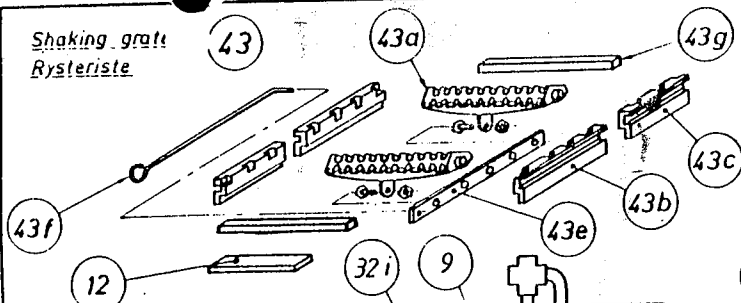
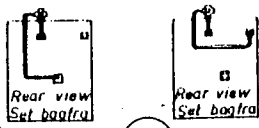


Shaking grate
Rysteriste

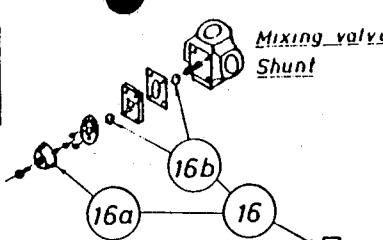


Mixing-valve with
pipes and flanges
Rørsæt m. shunt

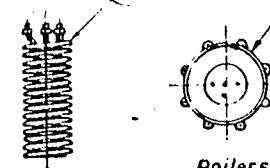


14 Type I 15 Type II

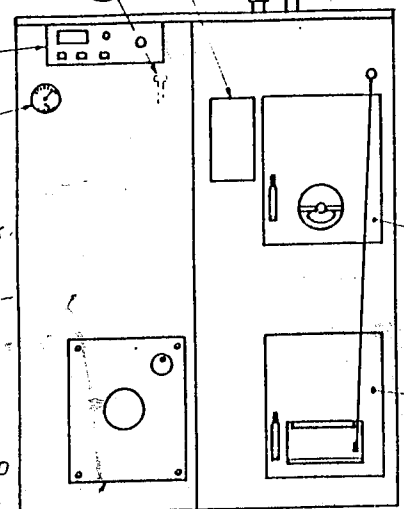
Mixing valve
Shunt



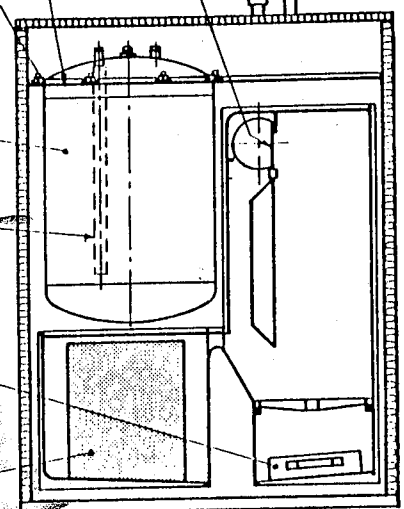
41 42



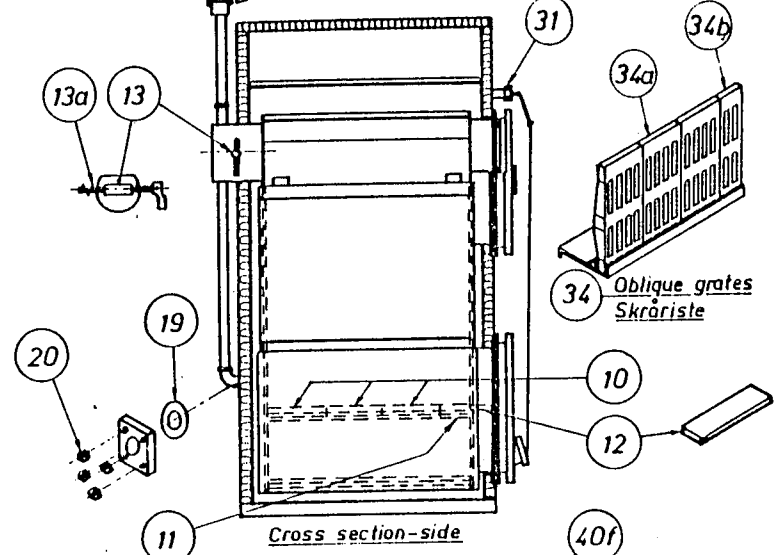
Boilers with coil
Kedler m. spiral



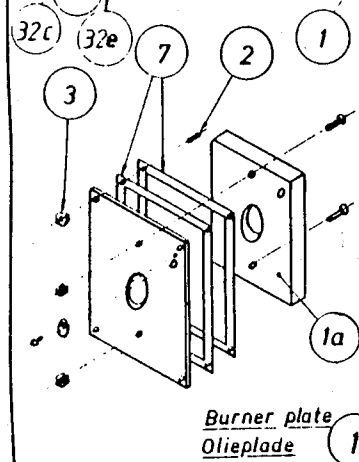
Front view



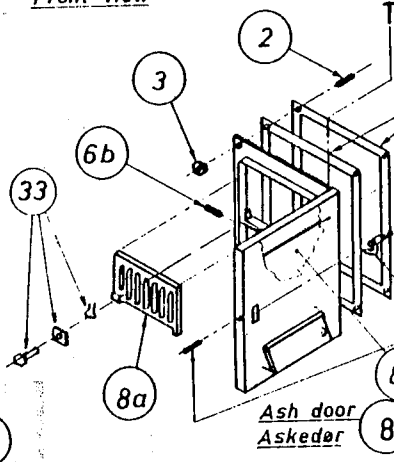
Cross section-front



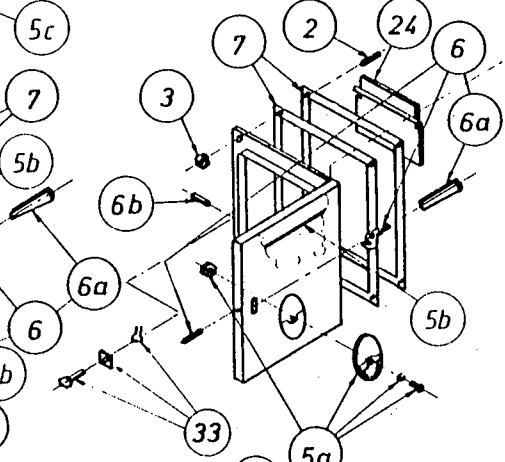
Cross section-side



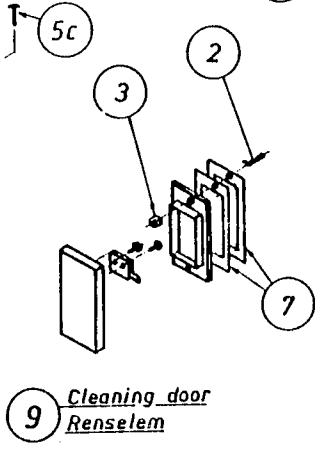
Burner plate
Olieplade 1



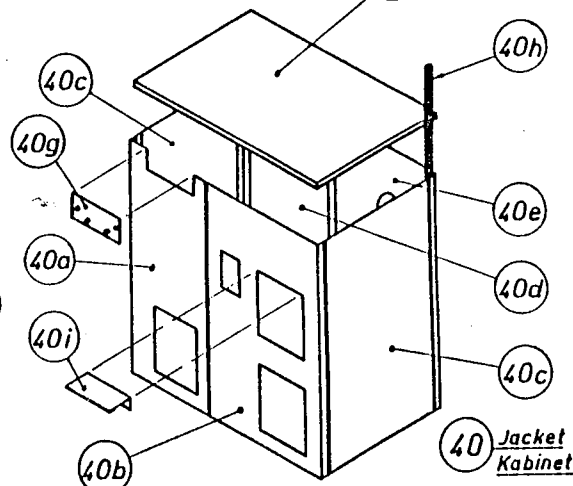
Ash door
Askedør 8



Firing door
Indfyrdør 5



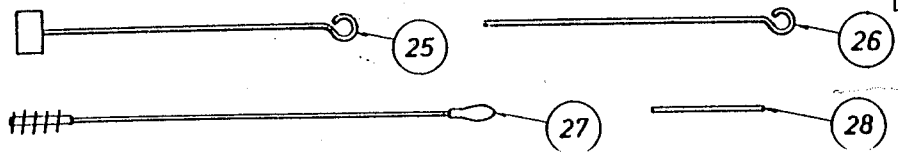
Cleaning door
Renselem 9



Jacket
Kabinet 40

NB! When ordering spares please quote
order no. on spare parts list

Ved bestilling af reservedele opgiv venligst
bestillingsnummer fra reservedelstlisten



Stk.	Genstand	mat. nr.	Tegn. nr.	materialis. vngt.
1	skole			03 154
Reservedelstegning for type OT 35				(oplysning for)
				12-468,5